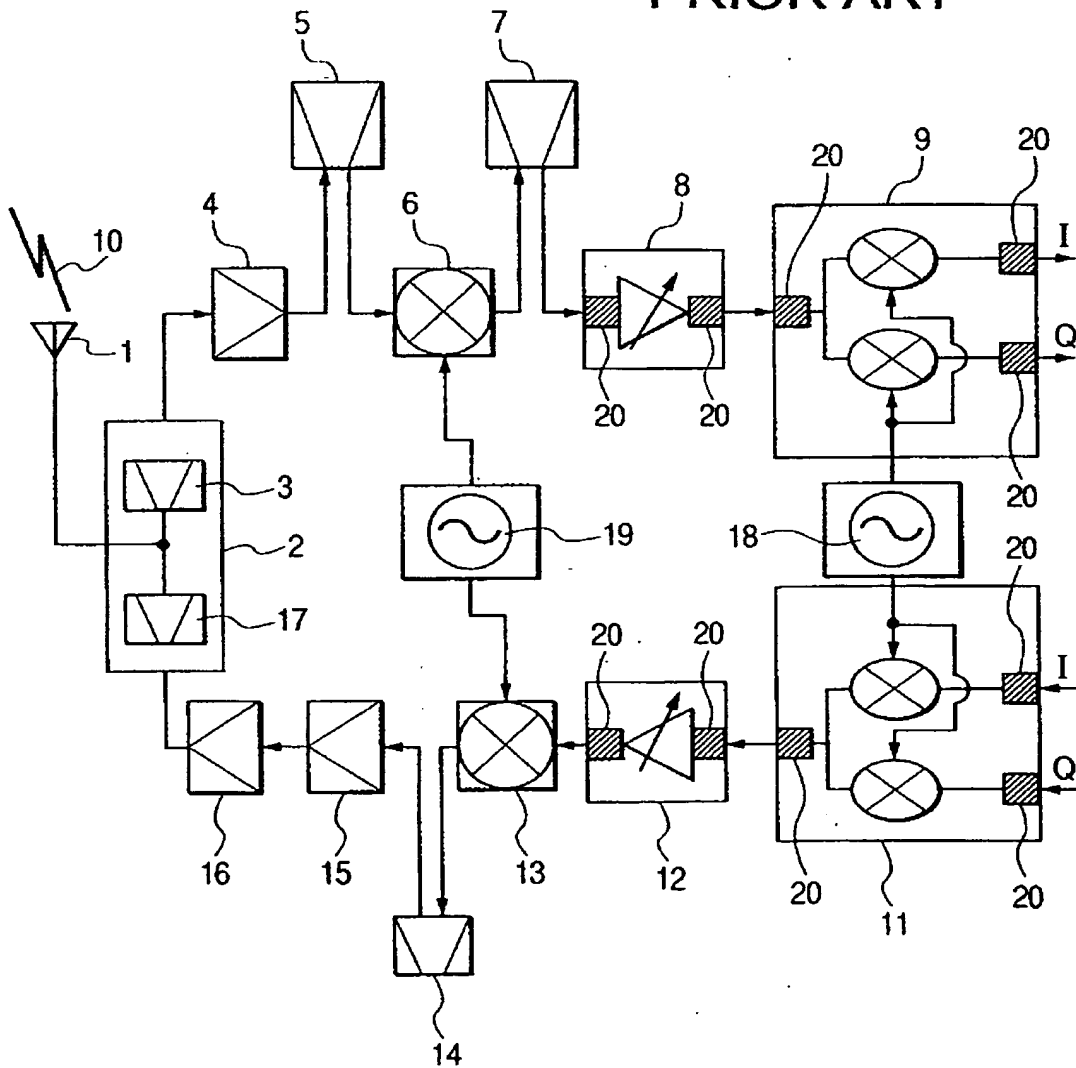


# REPLACEMENT SHEET

8 / 10

## FIG. 9

### PRIOR ART



REPLACEMENT SHEET

9 / 10

FIG. 10  
PRIOR ART

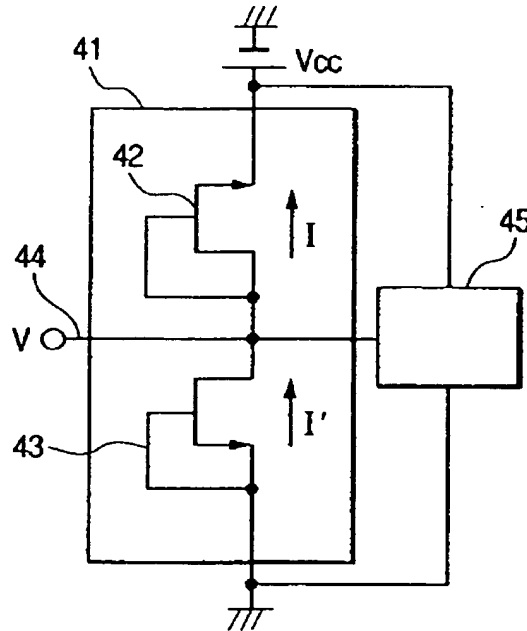


FIG. 11  
PRIOR ART

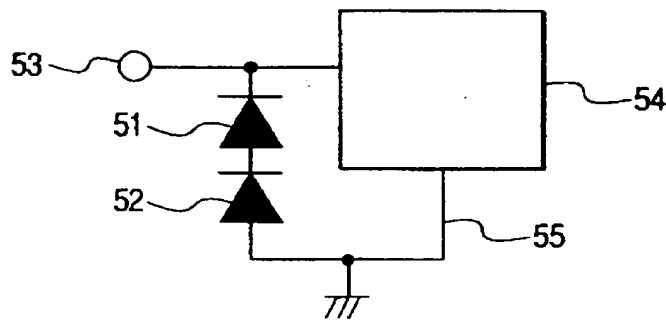
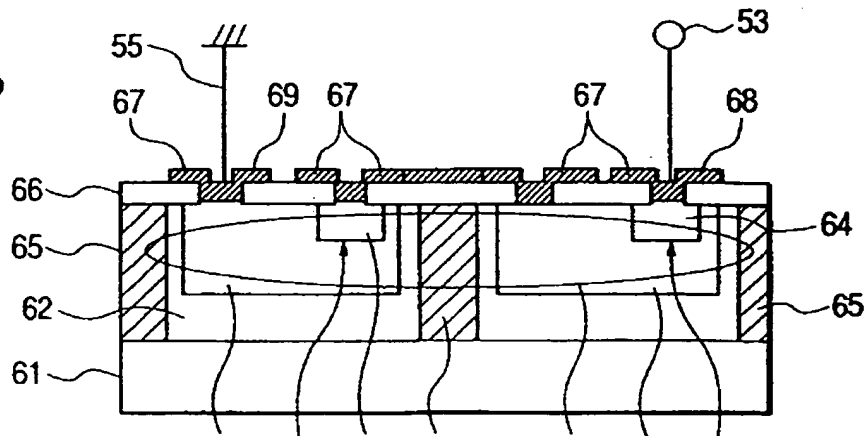


FIG. 12  
PRIOR ART

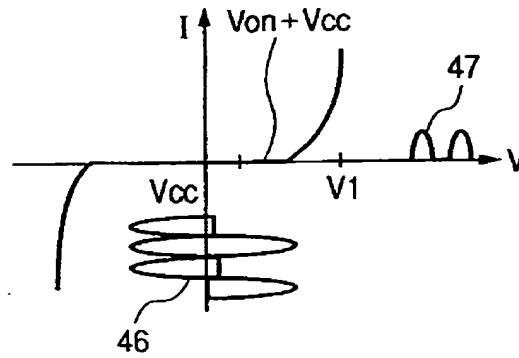


# REPLACEMENT SHEET

10 / 10

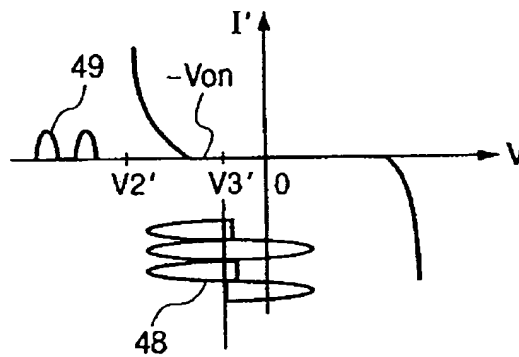
**FIG. 13(A)**

PRIOR ART



**FIG. 13(B)**

PRIOR ART



**FIG. 14**

